

SKD Valve Actuator

24 Vac, Proportional Control
0 to 10 Vdc or 4 to 20 mA
Spring Return or Non-Spring Return



Flowrite SKD Valve Actuator.

Description

Designed for use with the Flowrite and other standard valves with a 3/4" (20 mm) stroke, the Flowrite SKD Electronic Valve Actuator receives a 0 to 10 Vdc or 4 to 20 mA control signal to proportionally control the valve. The spring return actuators are available with standard or advanced functionality.

Features

Standard Features

Part nos. with U suffix have these standard features:

- Direct-coupled installation requires no special tools or adjustments
- Visual and electronic stroke indication
- Die-cast aluminum housing
- 250 lb. (1150 N) nominal force
- 0 to 10 Vdc or 4 to 20 mA
- Integral position feedback
- Manual override
- Spring return or non-spring return
- Maintenance-free

Advanced Features (Spring return only)

Part nos. with UA suffix have standard features, plus these advanced features:

- Adjustable start and span
- Stroke limit control
- Selectable operation direction (direct or reverse acting)
- Choice of linear or equal percentage flow characteristics
- Designed to be used with other manufacturer's valves with the appropriate Universal Valve Retrofit Kit

Applications

The Flowrite SKD Electronic Valve Actuator requires a 24 Vac supply and is designed to be used with Flowrite and other standard valves in liquid and steam service applications.

A-187

Valves



SKD Actuator Specifications

Operating Voltage 24 Vac \pm 20%

Frequency 50/60 Hz

Power Consumption..... 17 VA (12 W)

Control Signals

Control Input (Y)

Voltage..... 0 to 10 Vdc

Current..... 4 to 20 mA

Control Input (R)

Resistance..... 0 to 1000 Ohms

Voltage..... 0 to 1.6 V

Position Feedback Output (U)

Voltage..... 0 to 10 Vdc

Max. Current..... 0.5 mA max.

Position Feedback Output (U)

Current..... 4 to 20 mA

Max. Impedance..... 250 Ohms

Function

Nominal Stroke 3/4" (20 mm)

Run Time with Control Operation (Full Stroke)

Pushing Stroke, 0 to 100% 30 sec.

Pulling Stroke, 100 to 0% 15 sec.

Nominal Force

NC and 3-way Upper

Stroke..... 0%

Force..... 225 lbs. (1000 N)

NO and 3-way By Pass

Stroke..... 100%

Force..... 258 lbs. (1150 N)

Agency Approvals UL873, cUL, CSA C22.2 No. 24-93, CE N474

Operating

Ambient Temperature 5 to 130°F (-15 to 55°C)

Media Temperature 14 to 300°F (-10 to 150°C)

Conduit Opening 1/2" NPSM

Housing NEMA 1 (Interior Only)

A-188

SKD Actuator Product Ordering

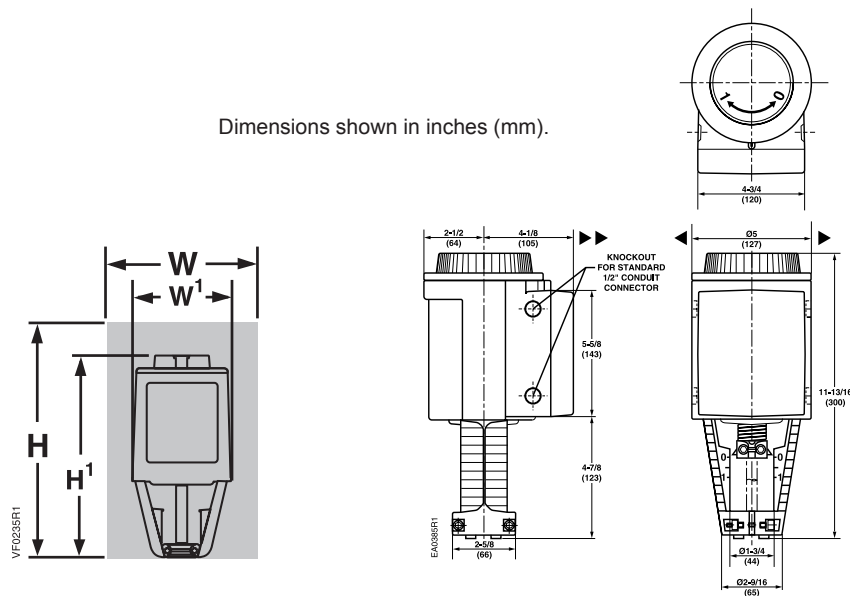
Description	Part No.	Actuator Prefix Code
24 Vac, Proportional Control, Non-Spring Return	SKD60U	267
24 Vac, Proportional Control, Spring Return	SKD62U	274
24 Vac, Proportional Control with Advanced Features, Spring Return	SKD62UA	—

Ordering Note:

The SKD62UA can be used with other manufacturer's valves with the appropriate Universal Valve Linkage Kit.

Dimensions

Dimensions shown in inches (mm).



Height of Actuator H ¹	Service Height H	Width/Diameter of Actuator W ¹	Service Width W
11-13/16" (300 mm)	19-3/4" (430 mm)	6-5/8" (170 mm) Width	14-1/2" (360 mm)

Table Note:

Service height and width are the recommended dimensions to allow access to the product.